



## 称重式拌料机 Weighing Type Mixing Machine

### 说明:

SGB系列称重式拌料机采用新一代的单晶片微处理器、功能更强大、运算速度更快、抗干扰能力更强的单晶片微处理器，具有自动补偿功能，在每次开机时能自动校准以确保精度准确。该系列新产品主要应用于塑料射出、压出或中空成型制程上需要多种原料按重量比例做精确混合的使用场合。

### Description:

SGB series weighing mixer adopt the latest single-chip microprocessor more powerful function, higher speed, and stronger antijamming capability. It has autocompensation ability, when start machine, can automatically calibrate. It is mostly applied in plastic ejection, extrusion, or material mix with exact proportion to mold plastic.

### 本机特点:

- 采用单晶片微处理器设计，功能更强，体积更小抗干扰能力强。
- 记忆体使用EEPROM切断电源后设定资料不会流失，免用电池。
- 使用人机介面状态显示触摸式键盘资料输入，操作更方便，更可储存大量配方资料(500组)。
- 高速高精度AD抓取重量更快速稳定。
- 所有的物料通过重力计量后均匀混合，可严格控制精度。
- 对重量数据及所选择使用的原料进行校验，确保混料的精度和准确性。
- 可以直接安装在成型设备上，但应选购转接底座；
- 该机用于地面安装时，需选配附有气动截料阀、脚架储料桶及吸料盒的组合。

### Features:

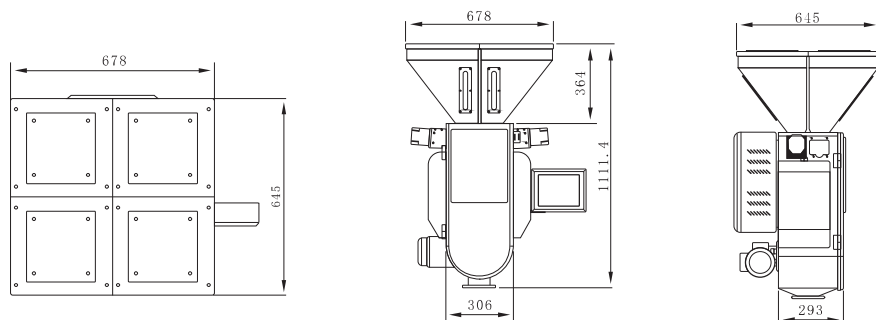
- Adopt single-chip microprocessor design, more powerful function smaller size and good Anti-interference ability
- Use EEPROM, data will not be lost when power off battery free.
- Interface state, contact controller, easy use, can store lot of formula data(500set)
- High speed, high accuracy, AD catch material, more stable.
- All material will be weighed then mix. strictly control precision.
- Recheck the weight data and material, ensure the precision and accuracy.
- Can directly install it on molding machine, but need to choose and buy base of mixer
- When install on the floor, need to buy pneumatic material-stop valve, foot stool, storage bunker, and material-inhale box.



SGB-1000-5R



外形尺寸图 / Outline drawing



规格表 / Specification

机型 Model	组份数量 Group Number	闸刀计量阀数量 Knife Metering Quantity	螺杆计量阀数量 Screw metering quantity	最大批处理量 (kg) Maximum Batch Quantity	压缩空气 (kg/cm <sup>2</sup> ) Compress Air	拌料马达功率 (kw) Mixing motor power	最大产量 (kg/hr) Maximum Output	机器电压规格 Machine Voltage Specification
SGB-40-	4	4	-	0.6	5-6	0.09	40	1Φ,230V,50Hz
		4-1R	1				40	
		4-2R	2				35	
		4-3R	3				30	
	3	3	-				50	
		3-1R	1				50	
		3-2R	2				45	
	2	2	-				60	
2-1R		1	55					
SGB-80-	4	4	-	1.5	5-6	0.2	80	1Φ,230V,50Hz
		4-1R	1				80	
		4-2R	2				65	
		4-3R	3				50	
	3	3	-				90	
		3-1R	1				90	
		3-2R	2				70	
	2	2	-				140	
2-1R		1	120					
SGB-200-	4	4	-	2.8	5-6	0.2	200	1Φ,230V,50Hz
		4-1R	1				200	
		4-2R	2				180	
		4-3R	3				160	
	3	3	-				220	
		3-1R	1				220	
		3-2R	2				160	
	2	2	-				350	
2-1R		1	240					
SGB-600-	4	4	-	8	5-6	0.37	600	1Φ,230V,50Hz
		4-1R	1				600	
		4-2R	2				520	
		4-3R	3				500	
	3	3	-				650	
		3-1R	1				650	
		3-2R	2				500	
	2	2	-				1000	
2-1R		1	700					

注:

- 1)混合配比误差是指各组分的设定百分比与实际百分比的差值
- 2)M刀计量阀适合于5%(含)以上的比例,混合配比误差能控制在±0.3%以内
- 3)螺杆或重见微量计量阀适合5%(不含)至0.5%的比例,混合配比误差能控制在±0.1%
- 4)以上最大处理量和混合配比误差数据是以堆积密度0.8、直径为3-4mm的颗粒均匀原料以
- 5)连续运转方式测量所得的数据。

注: 产品规格若有变更,恕不另行通知。

We reserve the right to change specifications without prior notice.

Note:

- 1)proportion error is the D-value from set data to actual proportion
- 2)Knife metering is suitable for proportion above 5%,the error can below ±0.3%.
- 3)Screw or micro quantity metering is suitable for 0.5% to 5% proportion,the error can be below ±0.1%
- 4)The result above is got from test with granule of 3-4mm diameter, aggregation degree 0.8,continuous running

地址:广东省东莞市常平镇漱新村沙田工业区

Ad:Shatian Industrial, Shuxin Village, Changping Town, Dongguan City, Guangdong Province

TEL:0769-83664588 FAX:0769-83664688 E-mail:srt-zg@srt-zg.com http://www.ruidaguoji.com